



Figure 2 - protection lever.

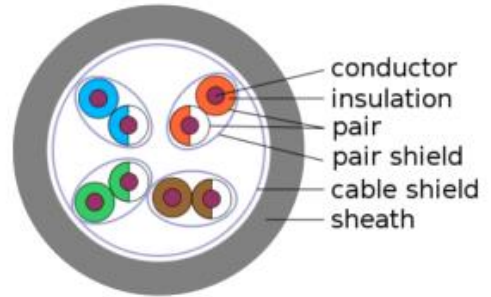


Figure 3 - shield

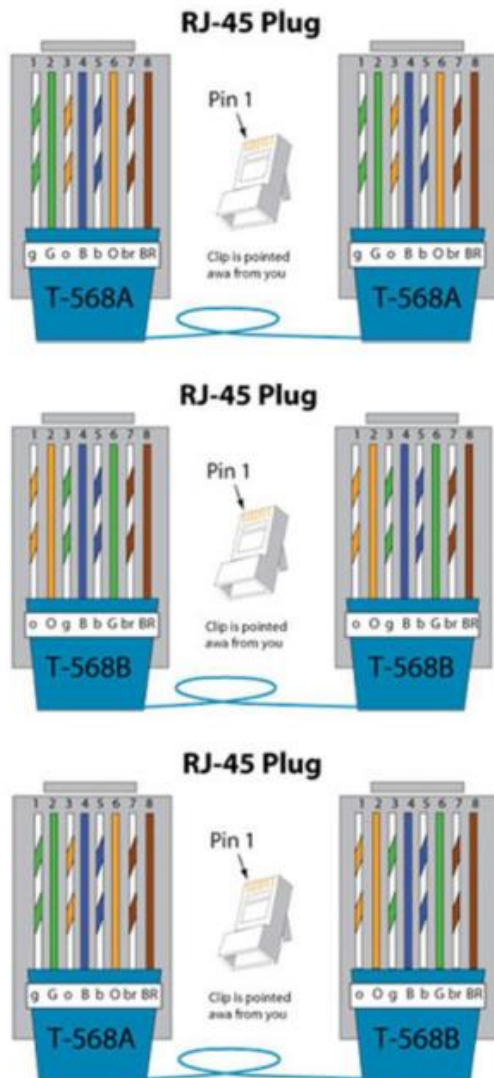


Figure 4 - wire arrangement

